

Denali SoundBomb Compact Dual-Tone Air Horn



TT-SB.10000.B Instructions Rev:00

PLEASE READ BEFORE INSTALLING

TWISTED THROTTLE products should be installed by a qualified, experienced motorcycle technician. If you are unsure of your ability to properly install a product, please have the product installed by your local motorcycle dealer. TWISTED THROTTLE takes no responsibility for damages caused by improper installation.

All screws, bolts, and nuts, including all replacement hardware provided by TWISTED THROTTLE should be tightened to the torque specified in the OEM maintenance manual for your motorcycle. If no torque specifications are provided in the OEM maintenance manual, the following torques may be used:

M5.....	3.5 ft-lbs (5 Nm)
M6.....	7 ft-lbs (9.6 Nm)
M8.....	13 ft-lbs (18 Nm)

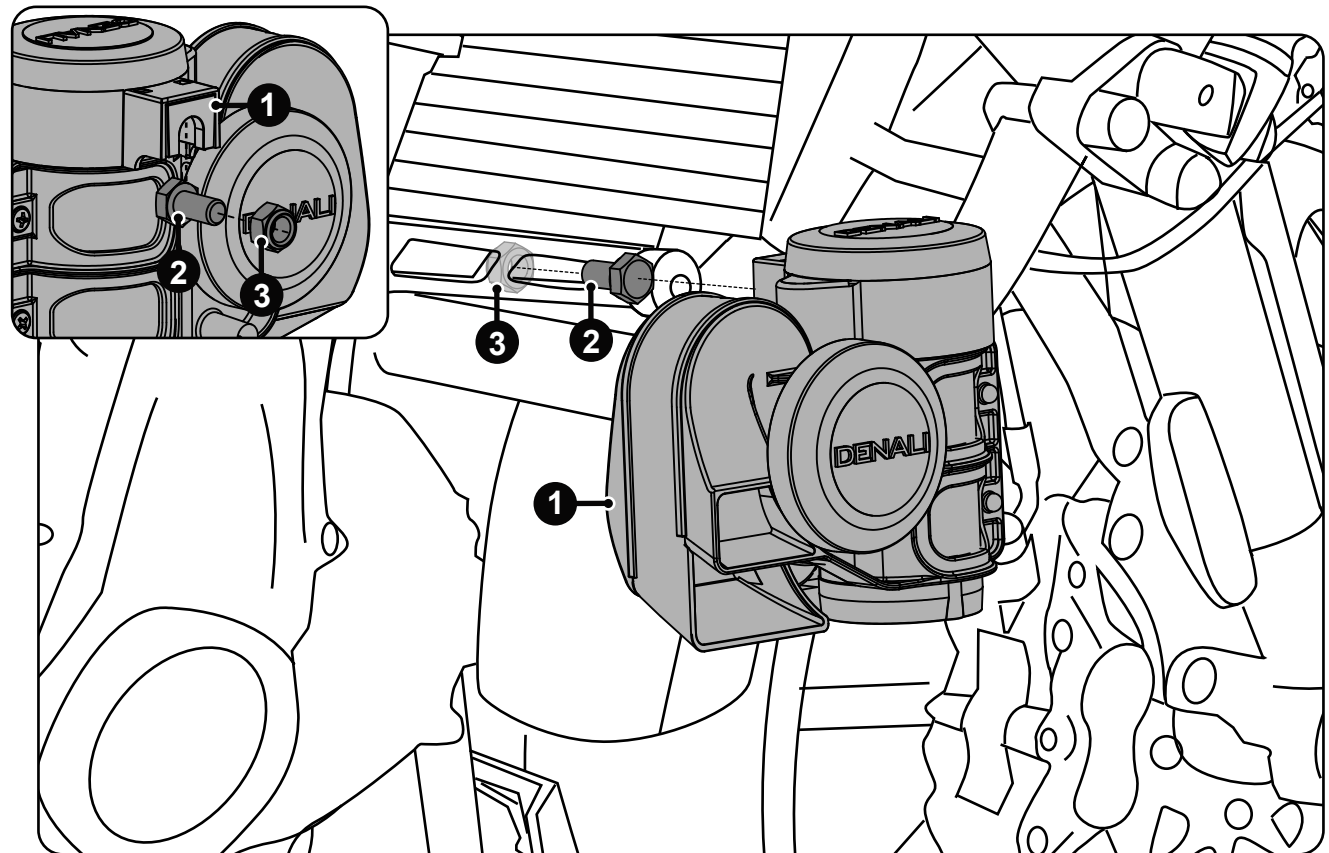
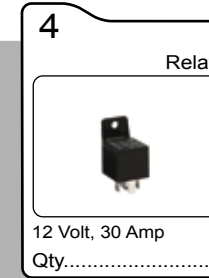
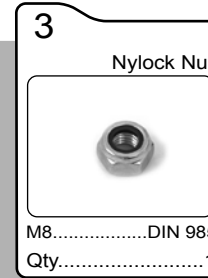
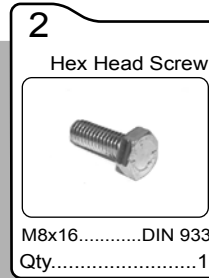
All screws, bolts, and nuts should be checked after driving the first 30 miles (50 km) to ensure that all are tightened to the proper torque.

Medium strength liquid thread-locker (i.e., "Loctite") should be used to secure all screws, bolts, and nuts.

Distributed by:	
Twisted Throttle LLC 570 Noose Neck Rd Exeter, RI 02822	phone: 401.284.4200 fax: 401.223.6955 www.twistedthrottle.com

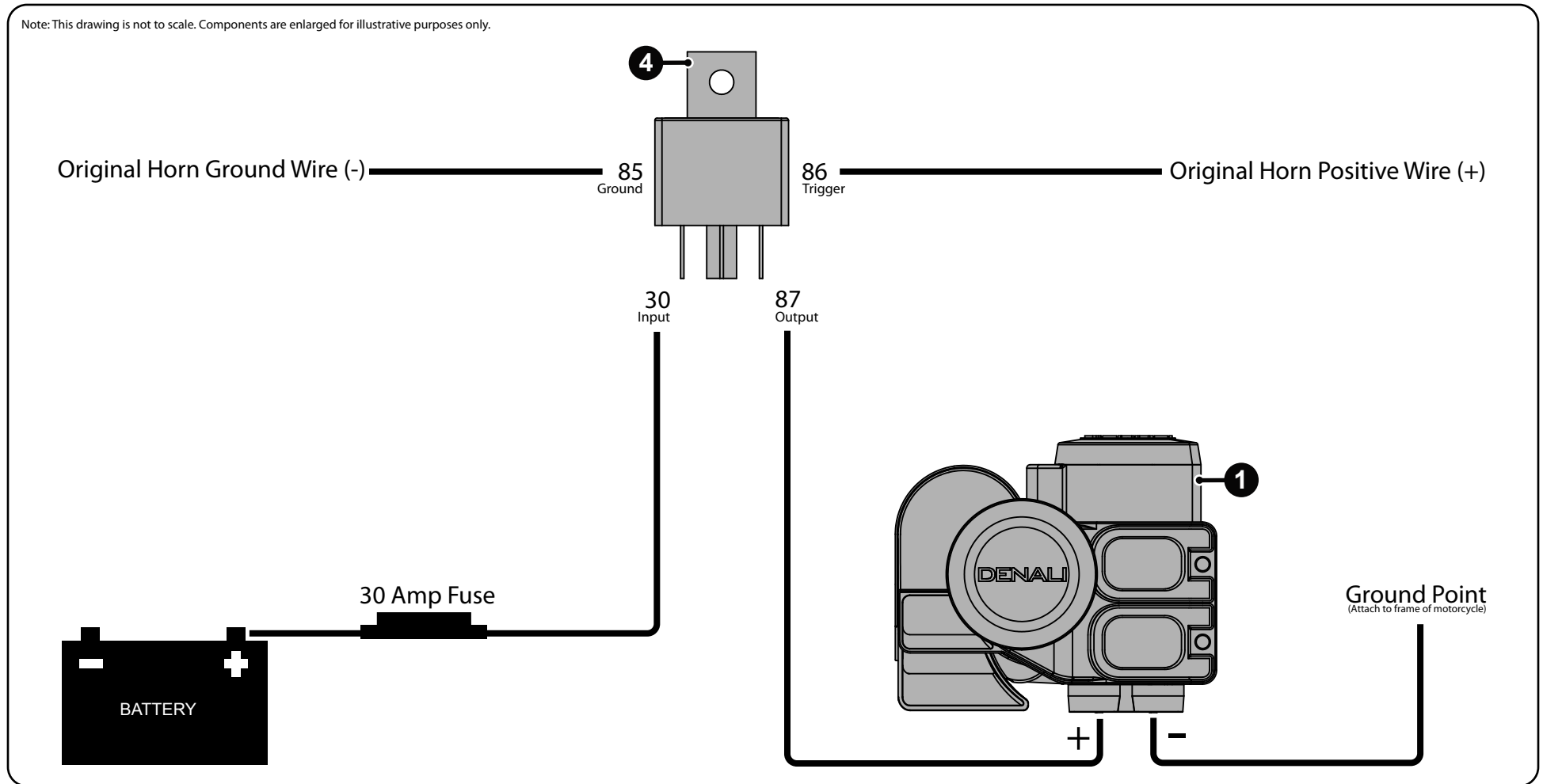
Installation Instructions

Kit Contents



Step One: Find a suitable mounting location on the motorcycle that is protected from road debris and spray from your tires. The horn should be mounted so that the cylinder is vertical with the horn facing down. There should be no more than a 25 degree variance from the vertical position. Use the supplied hardware to mount the SoundBomb to the motorcycle. (Universal and Bike-Specific brackets are available for purchase separately)

Note: This drawing is not to scale. Components are enlarged for illustrative purposes only.



How to Wire:

1. Connect terminal 85 to the original horn ground wire (-)
2. Connect terminal 30 to the battery positive terminal (+). Do not install the fuse at this time.
3. Connect terminal 87 to the positive terminal (+) located on the bottom of the SoundBomb horn
4. Connect a ground wire from the negative terminal (-) located on the bottom of the SoundBomb horn, to a ground point on the motorcycle.
5. Connect terminal 86 to the original horn positive wire (+)
6. Install a 30 amp fuse in the fuse holder