



**FITTING INSTRUCTIONS FOR PKS0145SI KICKSTAND SHOE TO FIT
APRILIA RS 660 2021- & TUONO 660 2021-**



This Kit contains the items pictured and labelled over page.

Some parts may be shown for clarity of instructions only.

Do not proceed until you are sure all parts are present.

Please read all instructions before proceeding.

**IF IN ANY DOUBT WHEN FITTING OUR PRODUCTS, CONSULT ONE OF OUR DEALERS
OR HAVE FITTED BY A QUALIFIED TECHNICIAN.**

Please note that the way the kit is packed does not necessarily represent the way of mounting to the bike.

In the event of rubber washers being used to hold components onto bolts, these rubber washers can be thrown away.

DIGITAL COPIES OF THESE INSTRUCTIONS ARE AVAILABLE FROM

www.rg-racing.com

R&G

Unit 1, Shelley's Lane, East Worldham, Alton, Hampshire, GU34 3AQ

Tel: +44 (0)1420 89007 Fax: +44 (0)1420 87301 www.rg-racing.com Email: info@rg-racing.com

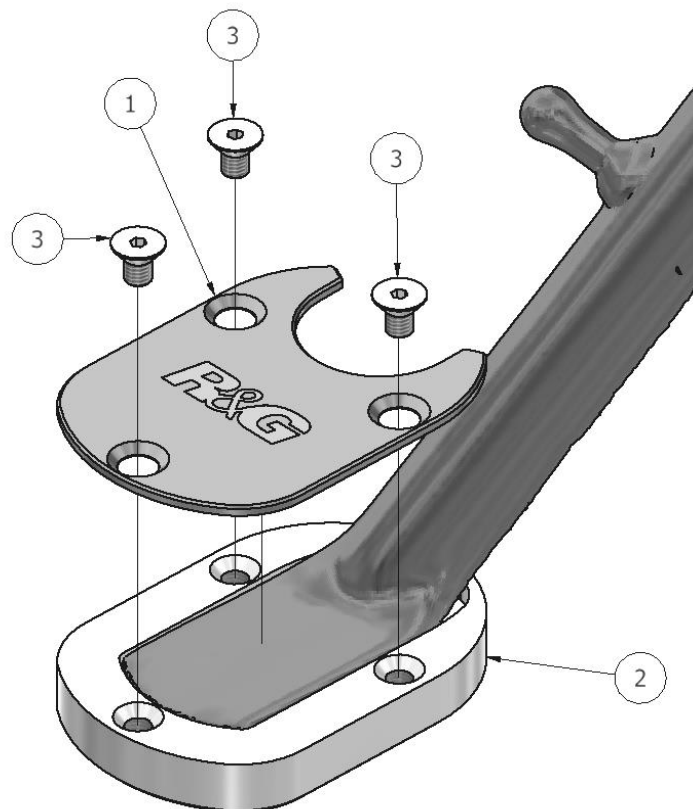


<u>TOOLS REQUIRED</u>	<u>GENERAL TORQUE SETTINGS</u>
<ul style="list-style-type: none"> • 3mm A/F Allen key or bit. • Loctite blue 242. 	M4 BOLT = 8Nm M5 BOLT = 12Nm M6 BOLT = 15Nm M8 BOLT = 20Nm M10 BOLT = 40Nm M12 BOLT = 40Nm

LEGEND

ITEM No.	DESCRIPTION	QTY
ITEM 1	CLAMP PLATE (PLATE 0275)	1
ITEM 2	MOUNTING PLATE (MP0246)	1
ITEM 3	M5 x 8mm LONG STAINLESS-STEEL COUNTERSUNK BOLTS	3
ITEM 4	50mm STRIP OF SELF-ADHESIVE FOAM	1

EXPLODED ASSEMBLY DIAGRAM



R&G

Unit 1, Shelley's Lane, East Worldham, Alton, Hampshire, GU34 3AQ

Tel: +44 (0)1420 89007 Fax: +44 (0)1420 87301 www.rg-racing.com Email: info@rg-racing.com



FITTING INSTRUCTIONS

- Carefully lift the motorcycle upright to raise the side stand a few inches from the ground.
- Place the mounting plate (**Item 1**) beneath the side stand & slowly lower the motorcycle/side stand to rest in position on the mounting plate (**Item 1**) as shown in **Exploded Assembly Diagram**.
- Take the clamping plate (**Item 2**) and place it over the side stand & mounting plate (**Item 1**).
- Sandwich the two plates together around the side stand pad as shown in **Exploded Assembly Diagram**.
- Apply a small amount of (one drop) of the Loctite blue 242 to the threaded end of each countersunk bolts (**Item 3**).
- Fit the three bolts (**Item 3**) through the clamp plate and into the mounting plate clamping the two plates securely together to the side stand pad.
- Tighten all the bolts evenly and ensure the stand is clear of the swingarm and chain when in the raised position.
- If fitting to older used stands that have wear the self-adhesive foam strip should be cut and placed into the base plate to ensure a tight fit.

ISSUE 2 – 12/03/2021 (TB)

CONSUMER NOTICE

The catalogue description and any exhibition of samples are only broad indications of the Products and R&G may make design changes which do not diminish their performance or visual appeal and supplying them in such state shall conform to the order. The Buyer acknowledges no representation or warranty (other than as to title) has been given or will apply to the Products other than those in R&G's order or confirmation and the Buyer confirms it has chosen the Products as being of merchantable quality and suitable for its particular purposes. Where R&G fits the Products or undertakes other services it shall exercise reasonable skill and care and rectify any fault free of charge unless the workmanship has been disturbed. The Buyer is responsible for ensuring that the warranty on the motorcycle is not affected by the fitting of the Products. On return of any defective Products R&G shall at its option either supply a replacement or refund the purchase money but shall not be liable if the Products have been modified or used or maintained otherwise than in accordance with R&G's or manufacturer's instructions and good engineering practice or if the defect arises from accident or neglect. Other than identified above and subject to R&G not limiting its liability for causing death and personal injury, it shall not be liable for indirect or consequential loss and otherwise its liability shall be limited to the amounts paid by the Buyer for the Products or the fitting or service concerned. These terms do not affect the Buyer's statutory rights.

R&G RACING RETURNS POLICY (NON-FAULTY GOODS)

Returns must be pre-authorized (if not pre-authorized the return will be rejected). Goods may only be returned direct to us if they were purchased direct from us (customer must prove if necessary). Otherwise to be returned to original vendor. Goods must be in re-sellable condition, in the opinion of R&G Racing. All returns are subject to a 25% restocking and handling fee (25% of the gross value exc. P&P – at the prevailing price at time of purchase). The customer must pay any and all carriage charges. No returns of discontinued products, unless within 14 days of purchase. This policy does not affect your statutory rights and does not refer to faulty goods.

R&G

Unit 1, Shelley's Lane, East Worldham, Alton, Hampshire, GU34 3AQ

Tel: +44 (0)1420 89007 Fax: +44 (0)1420 87301 www.rg-racing.com Email: info@rg-racing.com



NOTICE DE MONTAGE POUR PKS0145SI PIED DE BÉQUILLE
APRILIA RS 660 2021- & TUONO 660 '2021-



CE KIT CONTIENT LES ARTICLES ILLUSTRÉS ET ÉTIQUETES SUR LA PAGE.

CERTAINES PARTIES PEUVENT ÊTRE PRÉSENTES UNIQUEMENT POUR LA CLARTÉ DES INSTRUCTIONS.

NE PAS PROCÉDER AU MONTAGE TANT QUE VOUS N'ÊTES PAS SÛR QUE TOUTES LES PIÈCES SOIENT PRÉSENTES.

VEUILLEZ LIRE TOUTES LES INSTRUCTIONS AVANT DE CONTINUER.

EN CAS DE DOUTE LORS DU MONTAGE DE NOS PRODUITS, CONSULTEZ UN DE NOS REVENDEURS OU FAITES APPEL À UN TECHNICIEN QUALIFIÉ.

VEUILLEZ NOTER QUE LA FAÇON DONT LE KIT EST EMBALLÉ NE REPRÉSENTE PAS NECESSAIREMENT LA MANIÈRE DE LE MONTER SUR LA MOTO.

SI DES RONDELLES EN CAOUTCHOUC SONT UTILISÉES POUR MAINTENIR LES COMPOSANTS SUR LES BOULONS, ELLES PEUVENT ÊTRE JETÉES.

NOTICE DISPONIBLE AU TÉLÉCHARGEMENT SUR : WWW.RG-RACING.COM

R&G

Unit 1, Shelley's Lane, East Worldham, Alton, Hampshire, GU34 3AQ

Tel: +44 (0)1420 89007 Fax: +44 (0)1420 87301 www.rg-racing.com Email: info@rg-racing.com

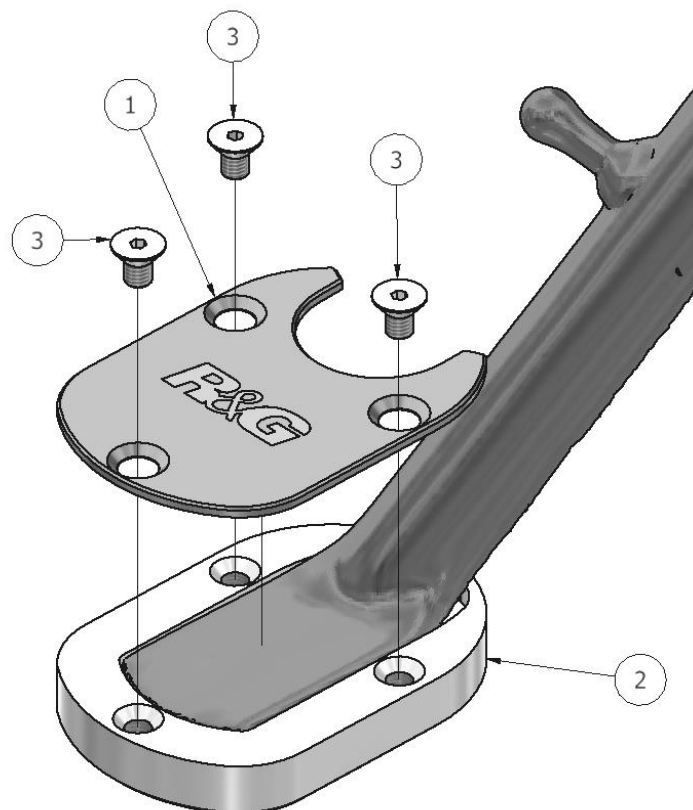


<u>OUTILS REQUIS</u>	<u>VALEURS DE SERRAGE</u>
<ul style="list-style-type: none"> • Clé Allen 3mm. • Colle Loctite bleu 242. 	M4 BOULON = 8Nm M5 BOULON = 12Nm M6 BOULON = 15Nm M8 BOULON = 20Nm M10 BOULON = 40Nm M12 BOULON = 40Nm

LÉGENDE

ARTICLE No.	DESCRIPTION	QTÉ
ARTICLE 1	PLAQUE DE MONTAGE (PLATE 0275)	1
ARTICLE 2	PLAQUE D'ATTACHE (MP0246)	1
ARTICLE 3	M5 x 8mm BOULONS	3
ARTICLE 4	50mm BANDEAU AUTOCOLLANT	1

SCHÉMA D'ENSEMBLE





NOTICE DE MONTAGE

- Soulevez soigneusement la moto à la verticale pour soulever la béquille latérale à quelques centimètres du sol.
- Placer la plaque de montage (Article 1) sous la béquille latérale et abaisser lentement la moto / béquille latérale pour qu'elle repose en position sur la plaque de montage (Article 1) comme indiqué dans le schéma de montage.
- Prenez la plaque de serrage (article 2) et placez-la sur la béquille latérale et la plaque de montage (article 1).
- Prenez en sandwich les deux plaques ensemble autour du coussin de béquille latérale comme indiqué sur le schéma d'assemblage.
- Appliquez une petite quantité (une goutte) de Loctite blue 242 sur l'extrémité filetée de chaque boulon à tête fraisée (article 3).
- Insérez les trois boulons (article 3) à travers la plaque de serrage et dans la plaque de montage en serrant les deux plaques solidement ensemble sur le coussin de la béquille latérale.
- Serrez tous les boulons uniformément et assurez-vous que le support soit dégagé du bras oscillant et de la chaîne lorsqu'il est en position relevée.
- En cas de montage sur des supports plus anciens et usés, la bande de mousse auto-adhésive doit être coupée et placée dans la plaque de base pour assurer un ajustement serré.

ISSUE 2 – 12/03/2021 (TB)

R&G

Unit 1, Shelley's Lane, East Worldham, Alton, Hampshire, GU34 3AQ

Tel: +44 (0)1420 89007 Fax: +44 (0)1420 87301 www.rg-racing.com Email: info@rg-racing.com