



FITTING INSTRUCTIONS CP0440 AERO CRASH PROTECTORS



THIS KIT CONTAINS THE ITEMS PICTURED AND LABELLED OVER PAGE.

SOME PARTS MAY BE SHOWN FOR CLARITY OF INSTRUCTIONS ONLY.

DO NOT PROCEED UNTIL YOU ARE SURE ALL PARTS ARE PRESENT.

PLEASE READ ALL INSTRUCTIONS BEFORE PROCEEDING.

**IF IN ANY DOUBT WHEN FITTING OUR PRODUCTS, CONSULT ONE OF OUR DEALERS
OR HAVE FITTED BY A QUALIFIED TECHNICIAN.**

PLEASE NOTE THAT THE WAY THE KIT IS PACKED DOES NOT NECESSARILY REPRESENT THE WAY OF
MOUNTING TO THE BIKE.

IN THE EVENT OF RUBBER WASHERS BEING USED TO HOLD COMPONENTS ONTO BOLTS,
THESE RUBBER WASHERS CAN BE THROWN AWAY.

DIGITAL COPIES OF THESE INSTRUCTIONS ARE AVAILABLE FROM:

WWW.RG-RACING.COM



<u>TOOLS REQUIRED</u>	<u>GENERAL TORQUE SETTINGS</u>
<ul style="list-style-type: none"> • 14mm & 19mm A/F SOCKET & WRENCH • TORQUE WRENCH (UP TO 50Nm) • SUITABLE SUPPORT JACK 	M4 BOLT = 8Nm M5 BOLT = 12Nm M6 BOLT = 15Nm M8 BOLT = 20Nm M10 BOLT = 40Nm M12 BOLT = 40Nm

LEGEND

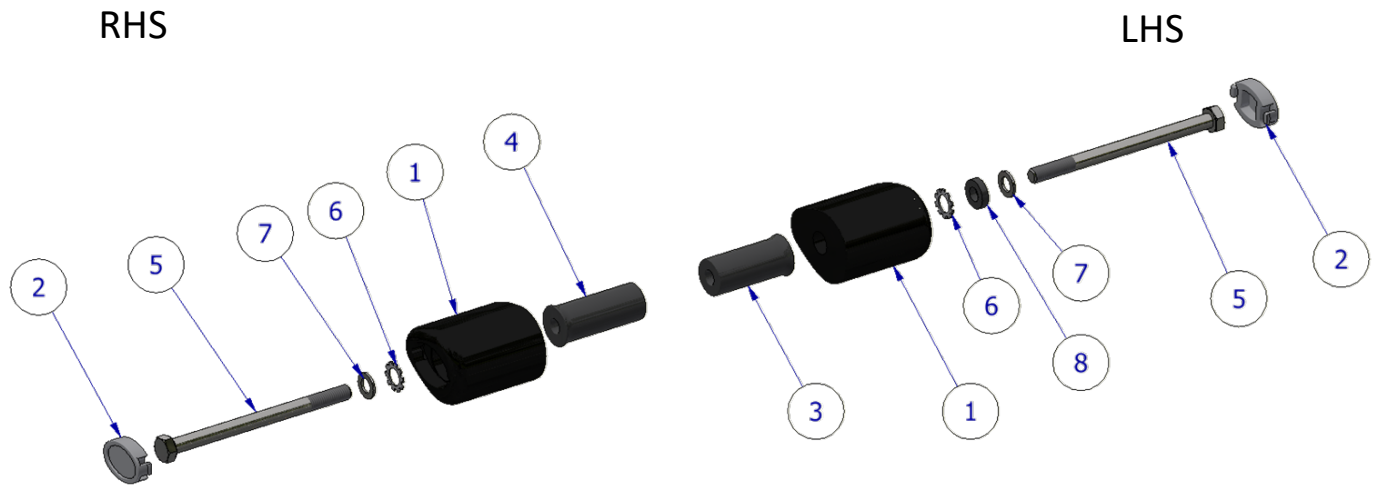
ITEM NO.	DESCRIPTION	QTY
ITEM 1	BOBBINS	2
ITEM 2	BOBBIN CAPS	2
ITEM 3	SPACER 57.5mm LONG	1
ITEM 4	SPACER 63.5mm LONG	1
ITEM 5	140mm HEX HEAD BOLTS	2
ITEM 6	LOCKING WASHERS	2
ITEM 7	M10 WASHERS	2
ITEM 8	SPACER 5mm LONG	1

AERO-STYLE CRASH PROTECTOR ORIENTATION





LHS & RHS EXPLODED ASSEMBLY VIEW



FITTING INSTRUCTIONS

Before removing engine bolts, ensure the bike is upright and supported by a suitable engine stand or jack placed under the sump of the motorbike to support the partial weight of the engine, this will prevent the engine from moving during fitting. **DO NOT REMOVE MORE THAN 1 ENGINE BOLT AT ANY TIME.**

PREPARATION:

- Place a suitable jack beneath the engine in a central position using a piece of wood between the jack and engine.
- Apply very light pressure to the underside of the engine to support the engine during the fitting process.
 - Assemble the crash protectors before removing the engine bolts to limit the amount of time the engine is partially un-supported.**
- Following the assembly diagram place the M10 washers (**ITEM 7**) over the bolts (**ITEM 5**) followed by the 5mm spacer (**ITEM 8**) on the LHS bolt, then the shake proof washers (**ITEM 6**).
- Insert the bolts (**ITEM 5**) with washers into the bobbins (**ITEM 1**) followed by the 57.5mm Spacer (**ITEM 3**) over the LHS bolt, and the 63.5mm long spacer (**ITEM 4**) over the RHS bolt.

INSTALLATION:

- Remove the LHS engine bolt.
- Push the LHS bolt/assembly (120mm bolt & 52mm spacer) you prepared earlier into the engine mount hole and thread by hand to avoid cross threading.
 - NOTE: To avoid cross threading apply forward pressure to the bolt and rotate counter-clockwise until a click is heard then begin to turn clockwise & tighten.**
- Rotate the bobbin a few degrees counter-clockwise and hold in place while tightening to stop the bobbin rotating too far while tightening.
- Using a torque wrench to tighten the bolt to 40 Nm.
- Repeat the process for the RHS.

R&G Racing

Unit 1, Shelley's Lane, East Worldham, Alton, Hampshire, GU34 3AQ

Tel: +44 (0)1420 89007 Fax: +44 (0)1420 87301 www.rg-racing.com Email: info@rg-racing.com



- Once completed, double check torque settings & the position/orientation of the bobbins then push the bobbin caps (**ITEM 2**) into place and remove the jack.

Please note: *Torque of the engine/bobbin bolts should be checked at regular intervals when doing routine maintenance/servicing.*

ISSUE 3 - 03/09/2024 (MH)

CONSUMER NOTICE

The catalogue description and any exhibition of samples are only broad indications of the Products and R&G may make design changes which do not diminish their performance or visual appeal and supplying them in such state shall conform to the order. The Buyer acknowledges no representation or warranty (other than as to title) has been given or will apply to the Products other than those in R&G's order or confirmation and the Buyer confirms it has chosen the Products as being of merchantable quality and suitable for its particular purposes. Where R&G fits the Products or undertakes other services it shall exercise reasonable skill and care and rectify any fault free of charge unless the workmanship has been disturbed. The Buyer is responsible for ensuring that the warranty on the motorcycle is not affected by the fitting of the Products. On return of any defective Products R&G shall at its option either supply a replacement or refund the purchase money but shall not be liable if the Products have been modified or used or maintained otherwise than in accordance with R&G's or manufacturer's instructions and good engineering practice or if the defect arises from accident or neglect. Other than identified above and subject to R&G not limiting its liability for causing death and personal injury, it shall not be liable for indirect or consequential loss and otherwise its liability shall be limited to the amounts paid by the Buyer for the Products or the fitting or service concerned. These terms do not affect the Buyer's statutory rights.

R&G RACING RETURNS POLICY (NON-FAULTY GOODS)

Returns must be pre-authorized (if not pre-authorized the return will be rejected). Goods may only be returned direct to us if they were purchased direct from us (customer must prove if necessary). Otherwise to be returned to original vendor. Goods must be in re-sellable condition, in the opinion of R&G Racing. All returns are subject to a 25% restocking and handling fee (25% of the gross value exc. P&P – at the prevailing price at time of purchase). The customer must pay any and all carriage charges. No returns of discontinued products, unless within 14 days of purchase. This policy does not affect your statutory rights and does not refer to faulty goods.

R&G Racing

Unit 1, Shelley's Lane, East Worldham, Alton, Hampshire, GU34 3AQ

Tel: +44 (0)1420 89007 Fax: +44 (0)1420 87301 www.rg-racing.com Email: info@rg-racing.com



NOTICE DE MONTAGE POUR CP0440 PROTECTIONS CRASH



CE KIT CONTIENT LES ARTICLES ILLUSTRÉS ET ÉTIQUETES SUR LA PAGE.

CERTAINES PARTIES PEUVENT ÊTRE PRÉSENTES UNIQUEMENT POUR LA CLARTÉ DES INSTRUCTIONS.

NE PAS PROCÉDER AU MONTAGE TANT QUE VOUS N'ÊTES PAS SÛR QUE TOUTES LES PIÈCES SOIENT PRÉSENTES.

VEUILLEZ LIRE TOUTES LES INSTRUCTIONS AVANT DE CONTINUER.

EN CAS DE DOUTE LORS DU MONTAGE DE NOS PRODUITS, CONSULTEZ UN DE NOS REVENDEURS OU FAITES APPEL À UN TECHNICIEN QUALIFIÉ.

VEUILLEZ NOTER QUE LA FAÇON DONT LE KIT EST EMBALLÉ NE REPRÉSENTE PAS NECESSAIREMENT LA MANIÈRE DE LE MONTER SUR LA MOTO.

SI DES RONDELLES EN CAOUTCHOUC SONT UTILISÉES POUR MAINTENIR LES COMPOSANTS SUR LES BOULONS, ELLES PEUVENT ÊTRE JETÉES.

NOTICE DISPONIBLE AU TÉLÉCHARGEMENT SUR :

WWW.RG-RACING.COM

R&G Racing

Unit 1, Shelley's Lane, East Worldham, Alton, Hampshire, GU34 3AQ

Tel: +44 (0)1420 89007 Fax: +44 (0)1420 87301 www.rg-racing.com Email: info@rg-racing.com



<u>OUTILS REQUIS</u>	<u>VALEURS DE SERRAGE</u>
<ul style="list-style-type: none"> • CLÉ À CLIQUET & DOUILLES 14mm & 19mm • CLÉ DYNAMOMÉTRIQUE (JUSQU'À 50Nm) • CRIC ADAPTÉ 	M4 BOULON = 8Nm M5 BOULON = 12Nm M6 BOULON = 15Nm M8 BOULON = 20Nm M10 BOULON = 40Nm M12 BOULON = 40Nm

LÉGENDE

ARTICLE NO.	DESCRIPTION	QTÉ
ARTICLE 1	BOBBINS	2
ARTICLE 2	CAPUCHONS DE PROTECTION	2
ARTICLE 3	ENTRETOISE 57.5mm DE LONG	1
ARTICLE 4	ENTRETOISE 63.5mm DE LONG	1
ARTICLE 5	140mm BOULONS	2
ARTICLE 6	RONDELLES DE BLOCAGE	2
ARTICLE 7	RONDELLES M10	2
ARTICLE 8	ENTRETOISE 5mm DE LONG	1

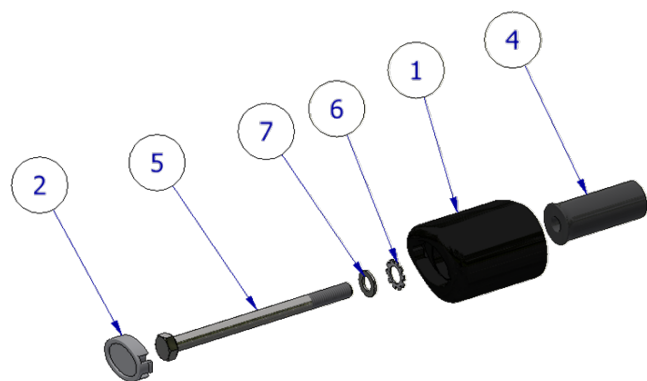
ORIENTATION DE LA PROTECTION CRASH



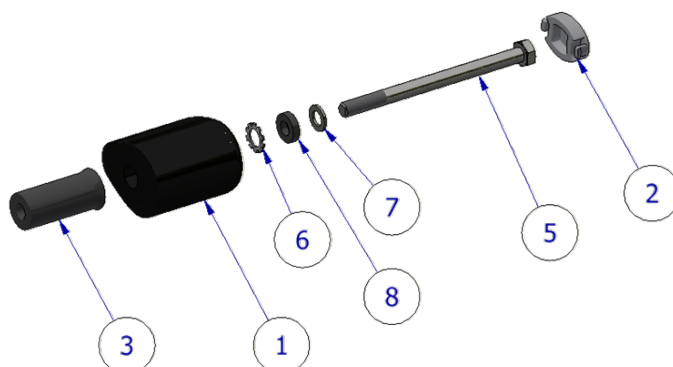


VUE D'ENSEMBLE CÔTÉ GAUCHE & DROITE

DROITE



GAUCHE



NOTICE DE MONTAGE

Avant de retirer les boulons du moteur, assurez-vous que la moto soit en position verticale et soutenue par un support moteur ou un cric approprié placé sous le carter de la moto pour supporter le poids partiel du moteur, cela empêchera le moteur de bouger pendant le montage. NE RETIREZ PAS PLUS D'UN BOULON DU MOTEUR À LA FOIS.

PRÉPARATION:

- Placez un cric adapté sous le moteur en position centrale en utilisant un morceau de bois entre le cric et le moteur.
- Appliquez une très légère pression sur le dessous du moteur pour soutenir le moteur pendant le processus de montage.
- Assemblez les protections crash avant de retirer les boulons du moteur pour limiter la durée pendant laquelle le moteur est partiellement sans support.
- En suivant le schéma de montage, placez les rondelles M10 (ARTICLE 7) sur les boulons (ARTICLE 5) suivis de l'entretoise de 5 mm (ARTICLE 8) sur le boulon gauche, puis des rondelles anti-vibrations (ARTICLE 6).
- Insérez les boulons (ARTICLE 5) avec les rondelles dans les protections (ARTICLE 1) suivis de l'entretoise de 57,5 mm (ARTICLE 3) sur le boulon côté gauche et de l'entretoise de 63,5 mm de long (ARTICLE 4) sur le boulon côté droit S.

INSTALLATION:

- Retirez le boulon moteur côté gauche.
- Poussez le boulon/l'ensemble côté gauche (boulon de 120 mm et entretoise de 52 mm) que vous avez préparé précédemment dans le trou de montage du moteur et vissez-le à la main pour éviter de croiser le filetage.

NOTE : Pour éviter de fausser le filetage, appliquez une pression vers l'avant sur le boulon et faites-le tourner dans le sens inverse des aiguilles d'une montre jusqu'à ce qu'un clic se fasse entendre, puis commencez à tourner dans le sens des aiguilles d'une montre et serrez.

R&G Racing

Unit 1, Shelley's Lane, East Worldham, Alton, Hampshire, GU34 3AQ

Tel: +44 (0)1420 89007 Fax: +44 (0)1420 87301 www.rg-racing.com Email: info@rg-racing.com



- Faites tourner la bobine de quelques degrés dans le sens inverse des aiguilles d'une montre et maintenez-la en place pendant le serrage pour empêcher la bobine de tourner trop loin pendant le serrage.
- À l'aide d'une clé dynamométrique, serrez le boulon à 40 Nm.
- Répétez le processus pour le côté droit.
- Une fois terminé, vérifiez à nouveau les réglages de couple et la position/orientation des protections, puis poussez les capuchons de protection (ARTICLE 2) en place et retirez le cric.

Note : *Le couple de serrage des boulons du moteur/bobine doit être vérifié à intervalles réguliers lors de l'entretien/réparation de routine.*

ISSUE 3 - 03/09/2024 (MH)

CONSUMER NOTICE

The catalogue description and any exhibition of samples are only broad indications of the Products and R&G may make design changes which do not diminish their performance or visual appeal and supplying them in such state shall conform to the order. The Buyer acknowledges no representation or warranty (other than as to title) has been given or will apply to the Products other than those in R&G's order or confirmation and the Buyer confirms it has chosen the Products as being of merchantable quality and suitable for its particular purposes. Where R&G fits the Products or undertakes other services it shall exercise reasonable skill and care and rectify any fault free of charge unless the workmanship has been disturbed. The Buyer is responsible for ensuring that the warranty on the motorcycle is not affected by the fitting of the Products. On return of any defective Products R&G shall at its option either supply a replacement or refund the purchase money but shall not be liable if the Products have been modified or used or maintained otherwise than in accordance with R&G's or manufacturer's instructions and good engineering practice or if the defect arises from accident or neglect. Other than identified above and subject to R&G not limiting its liability for causing death and personal injury, it shall not be liable for indirect or consequential loss and otherwise its liability shall be limited to the amounts paid by the Buyer for the Products or the fitting or service concerned. These terms do not affect the Buyer's statutory rights.

R&G RACING RETURNS POLICY (NON-FAULTY GOODS)

Returns must be pre-authorized (if not pre-authorized the return will be rejected). Goods may only be returned direct to us if they were purchased direct from us (customer must prove if necessary). Otherwise to be returned to original vendor. Goods must be in re-sellable condition, in the opinion of R&G Racing. All returns are subject to a 25% restocking and handling fee (25% of the gross value exc. P&P – at the prevailing price at time of purchase). The customer must pay any and all carriage charges. No returns of discontinued products, unless within 14 days of purchase. This policy does not affect your statutory rights and does not refer to faulty goods.

R&G Racing

Unit 1, Shelley's Lane, East Worldham, Alton, Hampshire, GU34 3AQ

Tel: +44 (0)1420 89007 Fax: +44 (0)1420 87301 www.rg-racing.com Email: info@rg-racing.com